

The HSL range of units was developed for ultra high speed elevators that are designed for the world's tallest and most prestigious buildings. The range is suitable for elevators travelling up to and in excess of 20m/s (using approved speed limiting devices) and the buffers utilise a telescopic design to ensure space at the top and bottom of the elevator shaft can be used effectively.

The more compact design also makes the units ideal for use in premium modernisation projects where elevators with higher speeds are installed into buildings where space restrictions from the original installation remain in place.

The units are designed and manufactured according to Oleo's strict engineering principles and are approved and can be specifically certified to suit each project location.

### Product features

- Energy dissipation buffer
- Minimum G-force experience (increased passenger protection)
- Lowest possible compressed height for specified mass range
- Fully compliant with lift directive 2014/33/EU
- Wide mass range 4000-10000 kg
- Gas spring return
- Multistage telescopic dissipation system
- Minimum possible extended height
- All supporting documentation available online



Model		HSL 58	HSL 72	HSL 87	HSL 101	HSL 115
Rated speed	m/s	5.850	7.250	8.700	10.101	11.550
Impact mass range	Kg	4000-10000	4000-10000	4000-10000	5000-8000	5500-8000

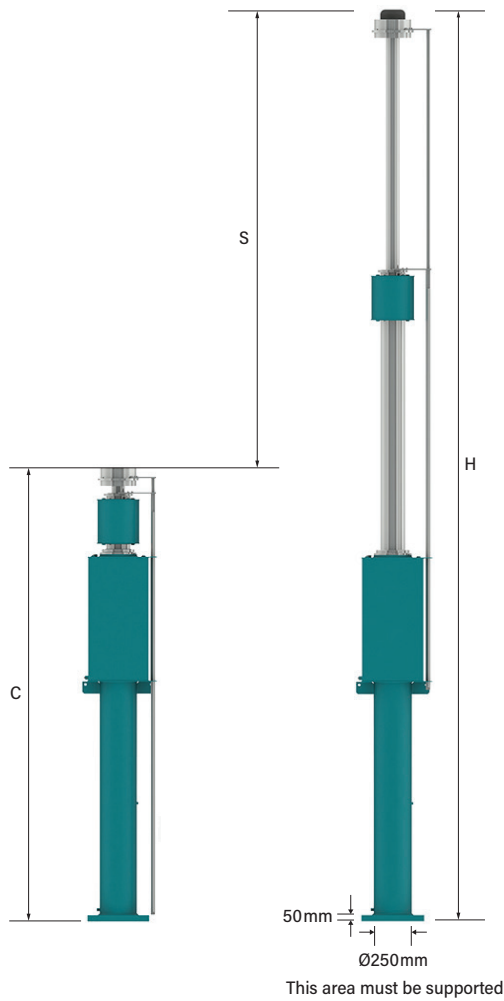
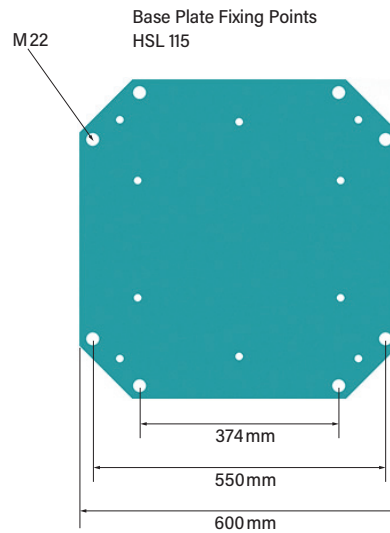
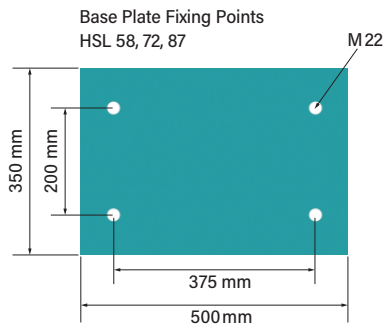
- Passenger
- Express
- Commercial
- Modernisation
- Freight
- Vehicle
- Special Applications



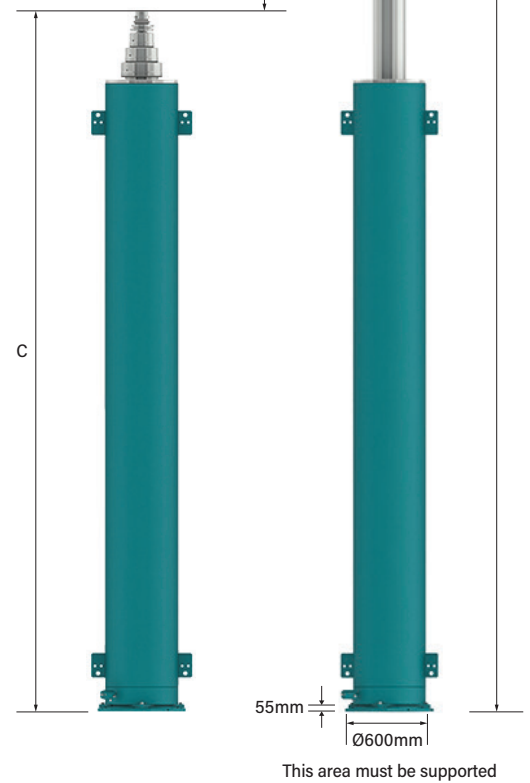
Model		HSL 58	HSL 72	HSL 87	HSL 101	HSL 115
Stroke 'S' (min.)	m	2.3420	3.6448	5.1920	6.9730	9.1264
Height 'H' max. (extended)**	m	4.9655	7.4147	10.2950	12.5700	14.9190
Height 'C' min. (compressed)**	m	2.5225	3.6725	5.1835	4.1830	5.7011
Weight no oil (dry)	Kg	779	1249	1450	3000	3497
Oil volume	Litres	98	144	207	275	490

\*Buffer design may vary across range from pictured

\*\*The max and min figures provided take account of the extremes of the tolerance to provide absolute maximum and absolute minimum dimensions.



HSL 72



HSL 115